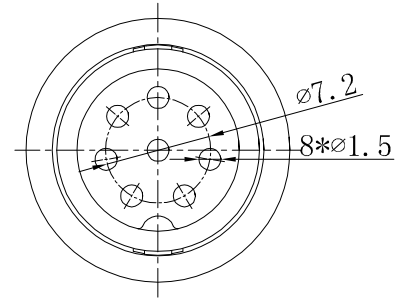
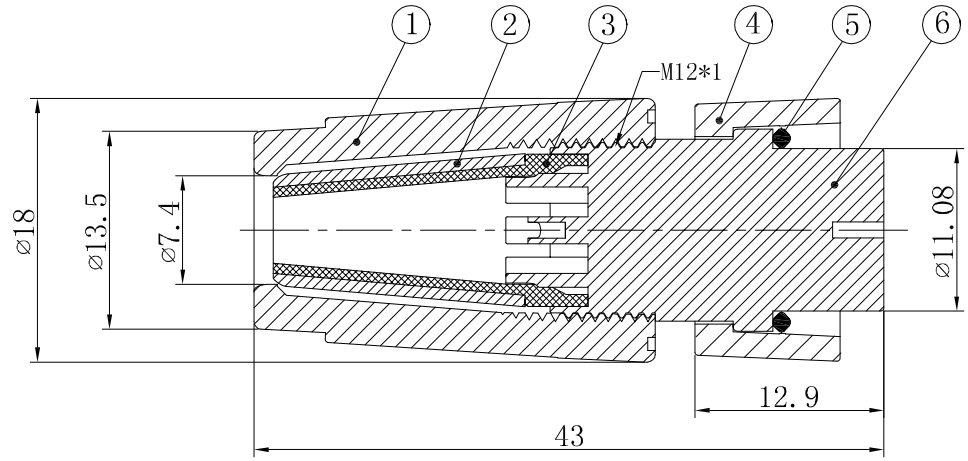
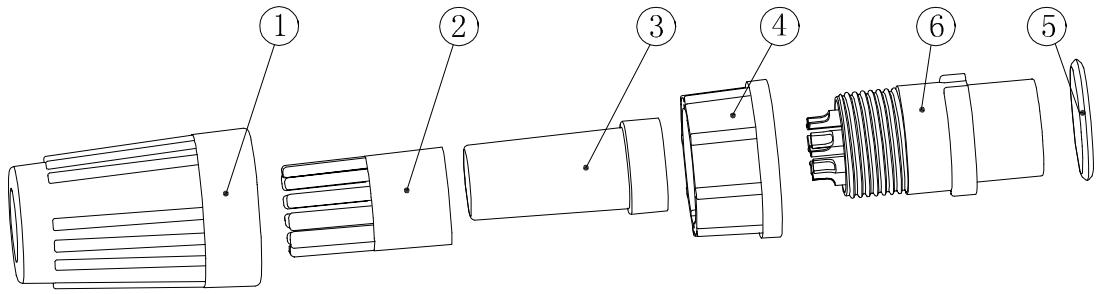


REV.	DESCRIPTION	DRAWN	CHECKED	APPROVED
A	NEW RELEASE	2010-10-08		

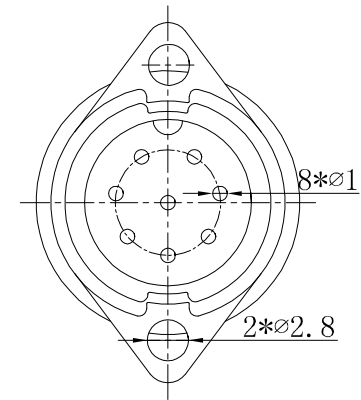
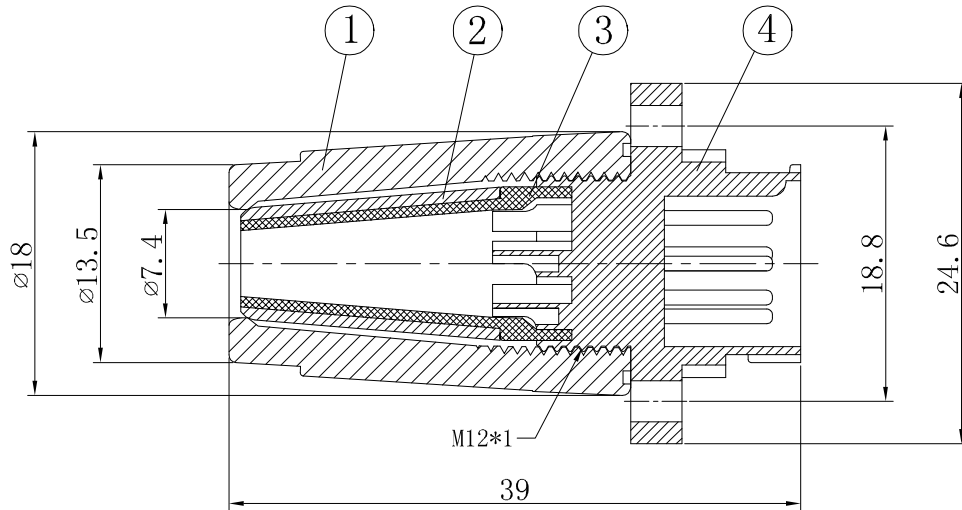
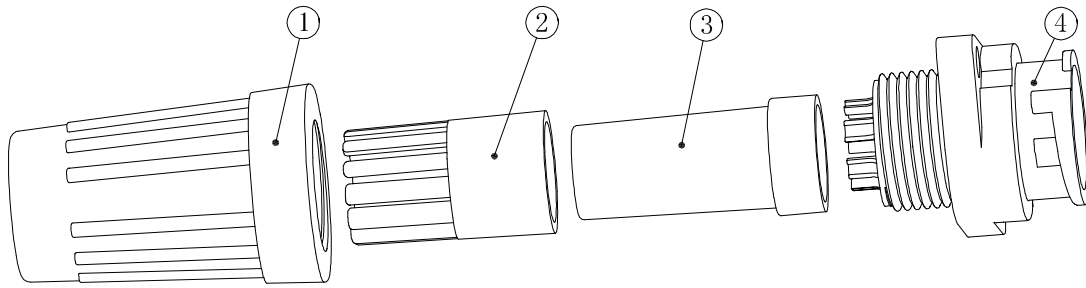


孔位排列 (从针的方向看) LAYOUT OF PIN

2P	3P	4P	5P	6P	7P	8P

6	孔座 (female socket)	1	GENERAL TOLERANCE	ANGLE TOLERANCE	PROJECTION	$\oplus_{-0.15}^{0}$	连接器-01		
5	O型密封圈 (O-ring seal)	1			X.	$\pm 0.60$		X.	$\pm 5^\circ$
4	连接螺帽 (lock nut)	1			.X	$\pm 0.38$		.X	$\pm 3^\circ$
3	橡胶管 (cable bushing)	1			.XX	$\pm 0.25$		.XX	$\pm 2^\circ$
2	压紧管 (thrust collar)	1	DRAWING TYPE	CUSTOMER		慈溪市网通电子有限公司 Cixi Wangtong Electronic Co.,Ltd			
1	后罩 (pressing screw)	1	SCALE	2:1	SHEET				
序号 (NO.)	名称 (name)	数量 (quantity)	DRAWING NO.						

REV.	DESCRIPTION	DRAWN	CHECKED	APPROVED
A	NEW RELEASE	2010-10-08		

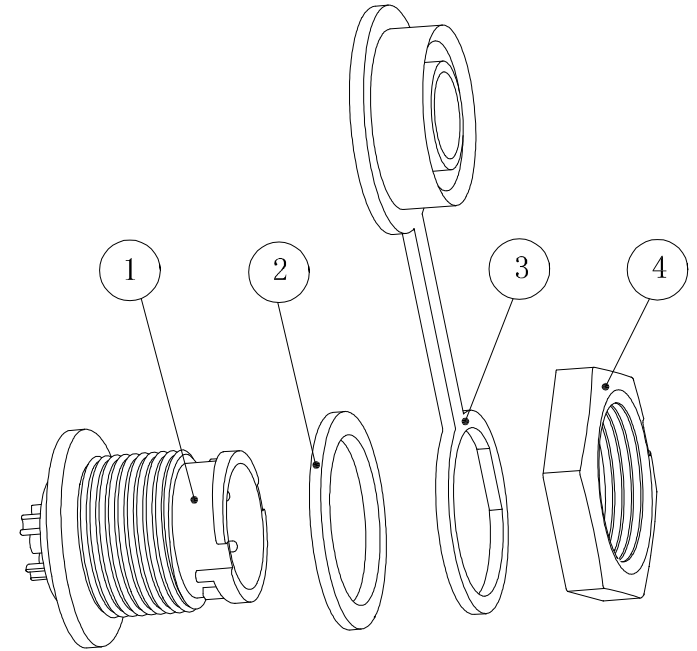
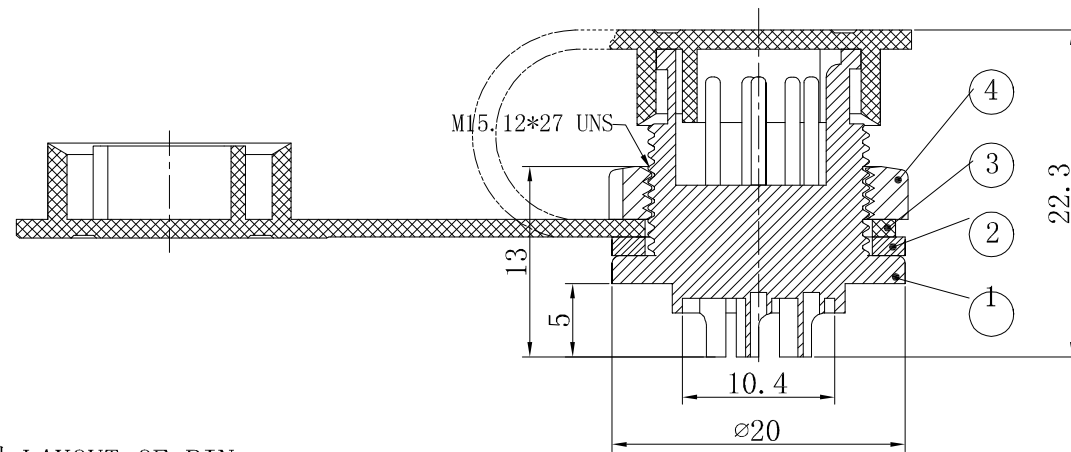
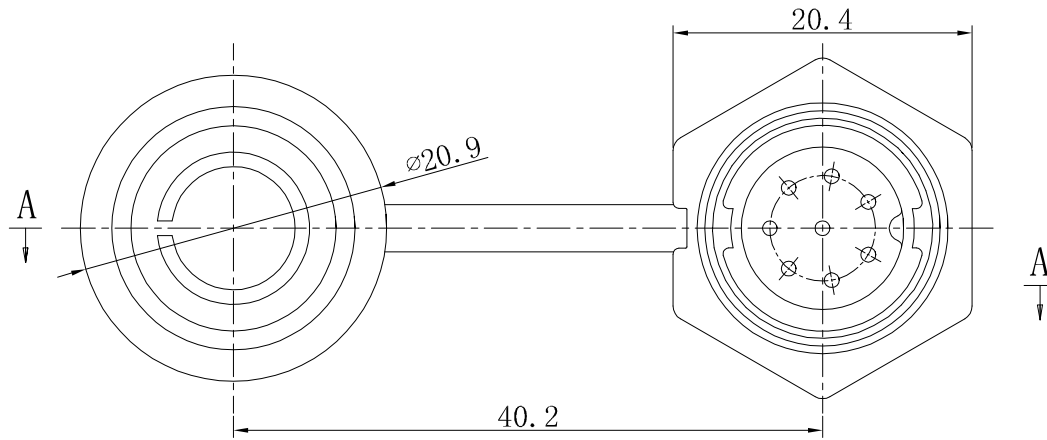


针位排列 LAYOUT OF PIN

2P	3P	4P	5P	6P	7P	8P

			GENERAL TOLERANCE	ANGLE TOLERANCE	PROJECTION	$\varnothing$ $\nabla$	连接器-02	
			X. $\pm 0.60$	X. $\pm 5^\circ$	UNITS	mm		
			.X $\pm 0.38$	.X $\pm 3^\circ$	SHEET SIZE	A4	SERIES	
			.XX $\pm 0.25$	.XX $\pm 2^\circ$	慈溪市网通电子有限公司 Cixi Wangtong Electronic Co.,Ltd			
4	针座 (male socket)	1	DRAWING TYPE					
3	橡胶管 (cable bushing)	1	SCALE	2:1	SHEET			
2	压紧管 (thrust collar)	1	DRAWING NO.					
1	后罩 (pressing screw)	1						
序号 (NO.)	名称 (name)	数量 (quantity)						

REV.	DESCRIPTION	DRAWN	CHECKED	APPROVED
A	NEW RELEASE	2010-10-08		



针位排列 LAYOUT OF PIN


2P	3P	4P	5P	6P	7P	8P


4	六角螺母 (hexagonal nut)	1
3	防尘罩 (dustcolak)	1
2	橡胶垫片 (rubber pad)	1
1	针座 (male socket)	1
序号 (NO.)	名称 (name)	数量 (quantity)


GENERAL TOLERANCE		ANGLE TOLERANCE	
X.	±0.60	X.	±5°
.X	±0.38	.X	±3°
.XX	±0.25	.XX	±2°
DRAWING TYPE		CUSTOMER	
SCALE		2:1	SHEET
DRAWING NO.			


PROJECTION		连接器-03	
UNITS	mm		
SHEET SIZE	A4	SERIES	
慈溪市网通电子有限公司 Cixi Wangtong Electronic Co.,Ltd			


## Order Information 产品订购信息


ITEM NO.# 产品型号	PIN NUMBER 芯数	PICTURE & SPECIFICATION 产品图片&产品说明
WT10-LJ-S02	2 Pin	A set of Fixed type with Male & Female 固定式针孔一套 
WT10-LJ-S03	3 Pin	
WT10-LJ-S04	4 Pin	
WT10-LJ-S05	5 Pin	
WT10-LJ-S06	6 Pin	
WT10-LJ-S07	7 Pin	
WT10-LJ-S08	8 Pin	

ITEM NO.# 产品型号	PIN NUMBER 芯数	PICTURE & SPECIFICATION 产品图片&产品说明
WT10-LJ-S02Z	2 Pin	Male socket of Fixed type 固定式针座 
WT10-LJ-S03Z	3 Pin	
WT10-LJ-S04Z	4 Pin	
WT10-LJ-S05Z	5 Pin	
WT10-LJ-S06Z	6 Pin	
WT10-LJ-S07Z	7 Pin	
WT10-LJ-S08Z	8 Pin	

ITEM NO.# 产品型号	PIN NUMBER 芯数	PICTURE & SPECIFICATION 产品图片&产品说明
WT10-LJ-D02	2 Pin	A set of Butt type with Male & Female 对接式针孔一套 
WT10-LJ-D03	3 Pin	
WT10-LJ-D04	4 Pin	
WT10-LJ-D05	5 Pin	
WT10-LJ-D06	6 Pin	
WT10-LJ-D07	7 Pin	
WT10-LJ-D08	8 Pin	

ITEM NO.# 产品型号	PIN NUMBER 芯数	PICTURE & SPECIFICATION 产品图片&产品说明
WT10-LJ-S02W	2 Pin	Male socket of Fixed type without dust cloak 固定式针座不带防尘罩 
WT10-LJ-S03W	3 Pin	
WT10-LJ-S04W	4 Pin	
WT10-LJ-S05W	5 Pin	
WT10-LJ-S06W	6 Pin	
WT10-LJ-S07W	7 Pin	
WT10-LJ-S08W	8 Pin	

ITEM NO.# 产品型号	PIN NUMBER 芯数	PICTURE & SPECIFICATION 产品图片&产品说明
WT10-LJ-S02K	2 Pin	Female socket of Fixed type & Butt type 固定式/对接式通用孔座 
WT10-LJ-S03K	3 Pin	
WT10-LJ-S04K	4 Pin	
WT10-LJ-S05K	5 Pin	
WT10-LJ-S06K	6 Pin	
WT10-LJ-S07K	7 Pin	
WT10-LJ-S08K	8 Pin	

ITEM NO.# 产品型号	PIN NUMBER 芯数	PICTURE & SPECIFICATION 产品图片&产品说明
WT10-LJ-D02Z	2 Pin	Male socket of Butt type 对接式针座 
WT10-LJ-D03Z	3 Pin	
WT10-LJ-D04Z	4 Pin	
WT10-LJ-D05Z	5 Pin	
WT10-LJ-D06Z	6 Pin	
WT10-LJ-D07Z	7 Pin	
WT10-LJ-D08Z	8 Pin	



慈溪市网通电子有限公司  
Cixi Wangtong Electronic Co.,Ltd